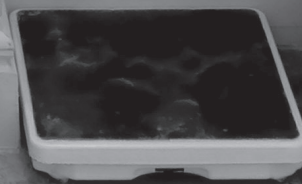




ProStock

Electronic Bidet with
Integrated Toilet
#PSBTWE1000



INSTALLATION GUIDE

INSTALLATION MANUAL

Thank you for choosing our product! Please read and carefully follow the instructions before installation. Secure this manual for maintenance and future reference. We reserve the right to the final interpretation of this manual. This manual is subject to change without notice.

WARNING

Improper use of this products may result in serious injury or death. Do not use this product in a wet or damp place, such as a shower or bath tub, as this may cause electric shock. This product should only be used with 120V electrical voltage to avoid fire or electric shock. Always plug the grounded plug into a GFCI Protected outlet to prevent electrical shock. Do not use a damaged plug or cord or insert into a faulty electrical outlet.

CAUTION

Improper use of this product may result in personal injury or property damage. Always follow these installation instructions. Improper installation may result in water damage, electrical shock, or fire.

PREPARATION

Before installation begins, please confirm that you have the materials indicated below:

INCLUDED



Electronic Bidet



Remote Control



Installation Manual



Wax Ring

NOT INCLUDED

Supply stop valve, Closet bolts, or 3/8"x7/8" water supply line

RECOMMENDED TOOLS



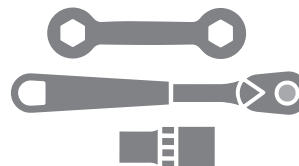
Pencil



**Masking or
painters tape**



**Tape measure
or ruler**



**7/16" ratchet box
wrench or deep socket
ratchet wrench**

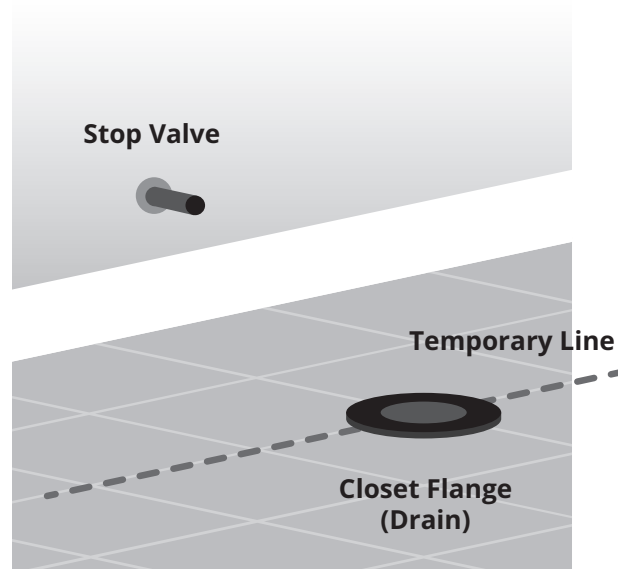


**Carpenter's
square or other
straight edge**

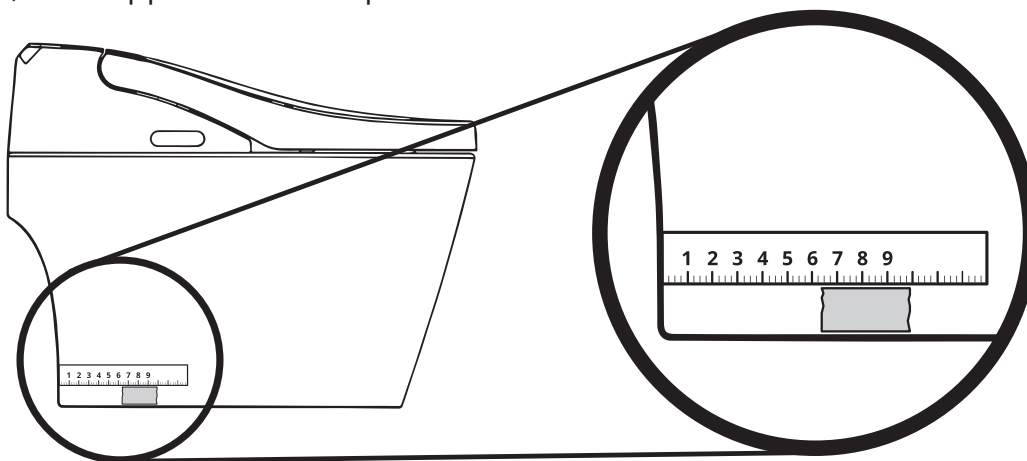
INSTALLATION:

1. Water Supply and Alignment Prep

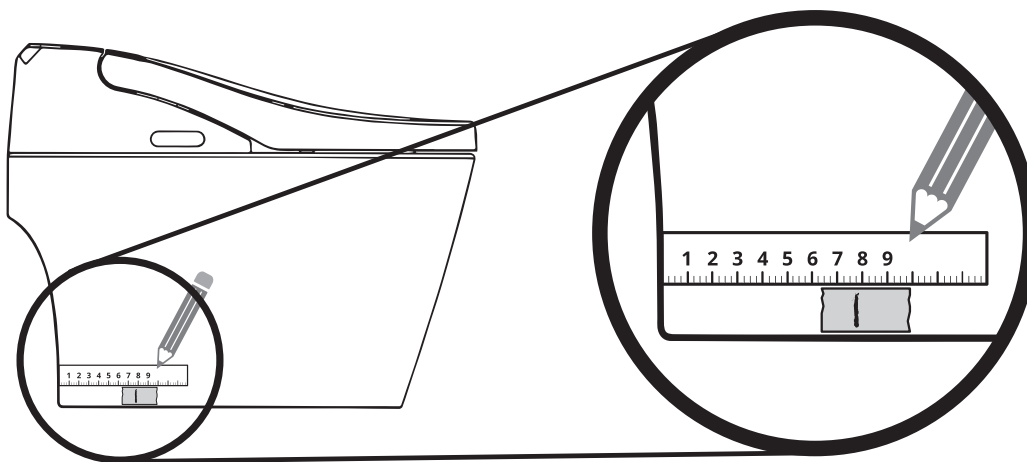
- Install the supply line (not included) to water supply inlet located the back of the tank. To prevent leaks, use an adjustable wrench to tighten the nut and seat the O-ring. (This step is easier to do now when it is not up against a wall, but can also be done once the toilet is installed and secured in place.)
- Draw temporary lines on the floor that are parallel to the wall which align with the center of the closet flange in the floor. (Make sure to exceed the width of the toilet by approximately 3" in each direction)



- From the back of the toilet, measure and place a 2" piece of tape along the bottom edge of the toilet, from approx. 7"-9". Repeat on both sides of bowl.



- Once the tape is placed, measure 7-3/4" and draw a vertical line on the tape. Repeat for both sides of the bowl. These marks will help you guide the bowl only.

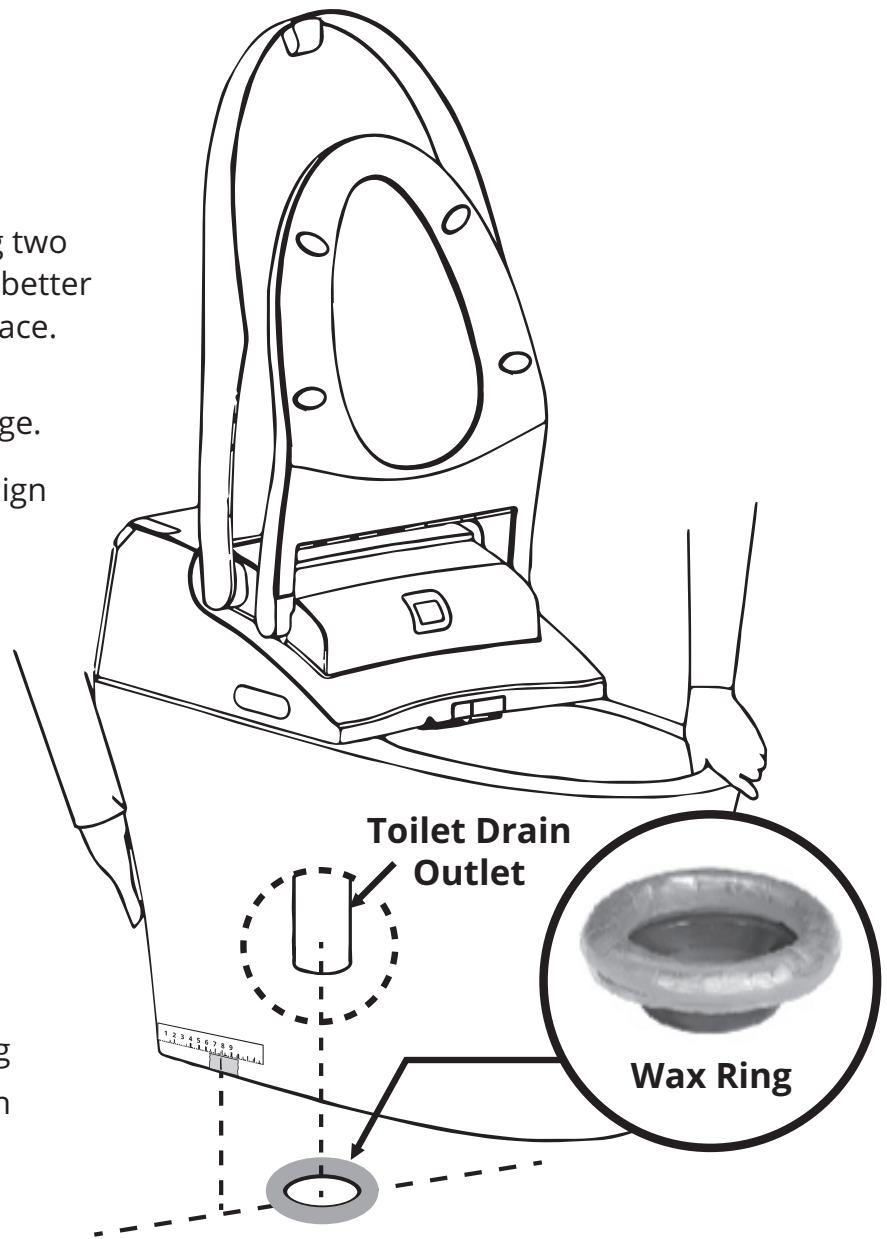


2. Setting the Toilet

WARNING

This toilet is heavy; we suggest utilizing two people and opening the seat cover for better hand holds while setting the bowl in place.

- Install the wax ring onto the closet flange.
- Install closet bolts (not included) and align them with the temporary center lines on the floor.
- Install the bowl onto the flange by lifting the toilet over the closet flange and, using the lines on the tape and temporary center lines on the floor as your guide, align the toilet over the bolts and gently set the toilet onto the wax ring.
- Help the bowl “settle” onto the wax ring by pushing down to add weight on both front to back and side to side.

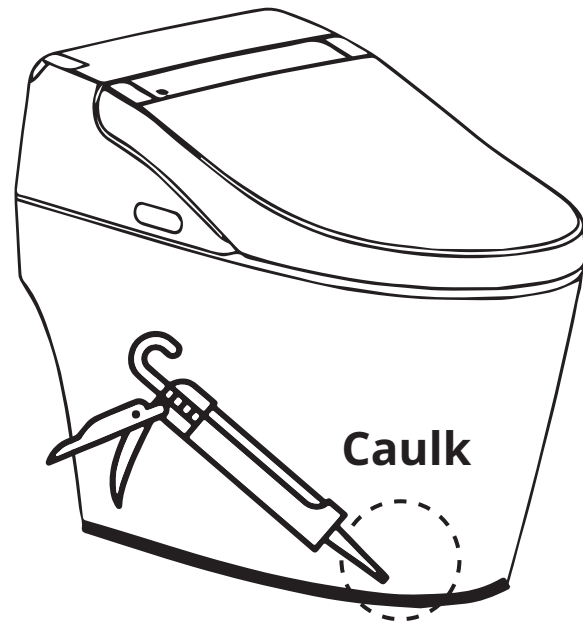


3. Securing the Bowl

- Once the toilet is set, reach through the back of the bowl behind the toilet and locate the closet bolts. Place a washer and nut over each bolt. Hand tighten the nuts until they come to rest on the washers.
- Using a 7/16" wrench of your choosing and, alternating from side to side, gently tighten the nuts onto the washers until the toilet has little to no play (wiggle room) against the floor. Be careful to not over tighten or you may crack the toilet!

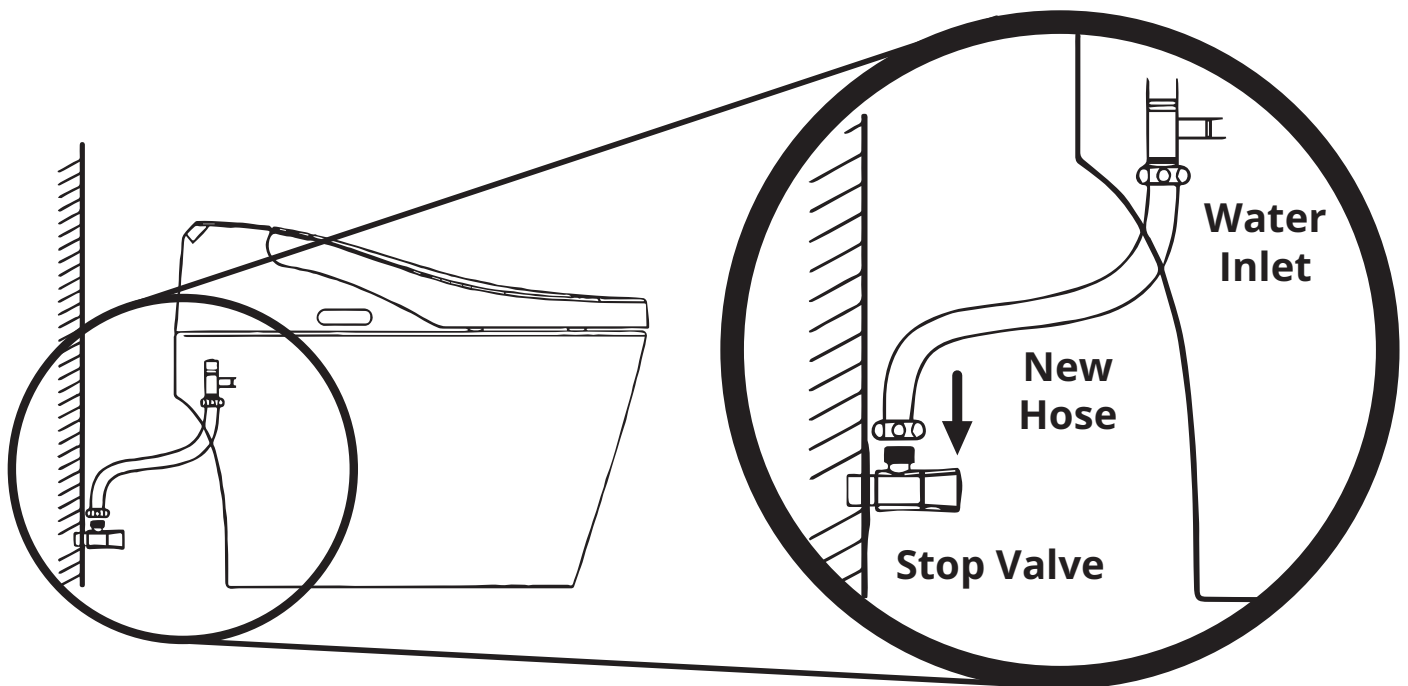
4. Applying Caulk

- Caulk the edge of the toilet bottom with a mildew resistant caulk designed for indoor bathroom applications. This will help to keep the bowl in place and give added security and strength to the closet bolts.



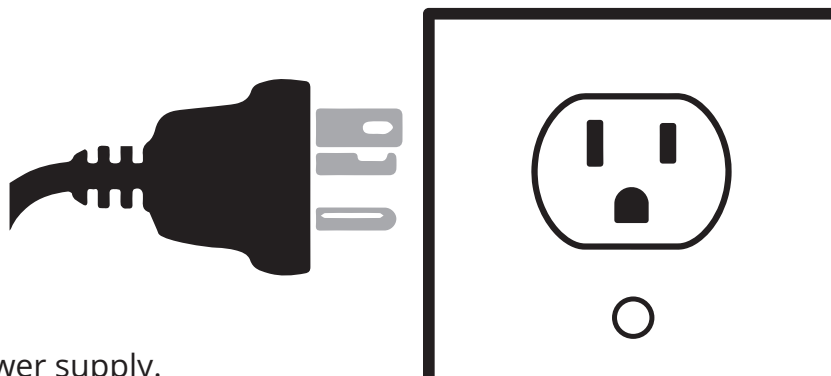
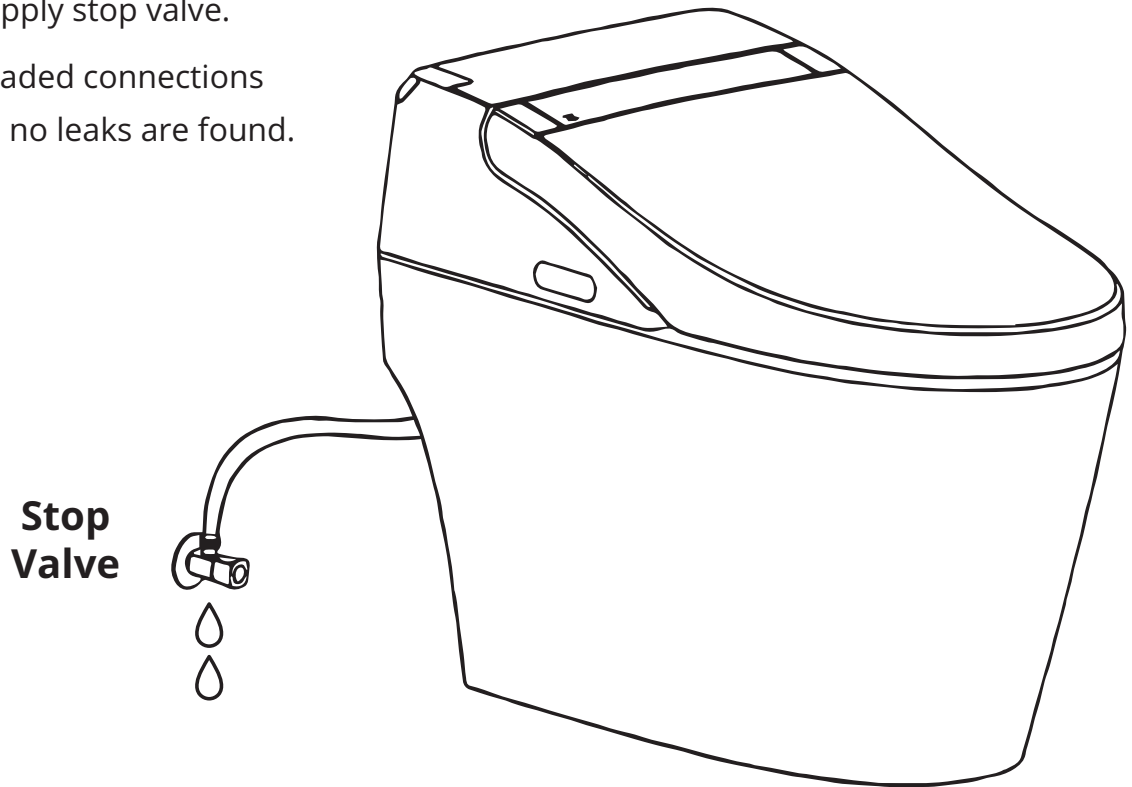
5. Installation of supply line

- If you have already connected the supply line to the toilet skip to the next step. If not, install the 3/8"x7/8" supply line (not included) to water supply inlet located the back of the tank. To prevent leaks, use an adjustable wrench to tighten the nut and seat the O-ring.
- Connect the smaller (3/8") end of the water supply line to previously installed supply stop valve. To prevent leaks, use an adjustable wrench to tighten the nut and seat the O-ring.



POST INSTALLATION PREPARATION (BEFORE FIRST TIME USE)

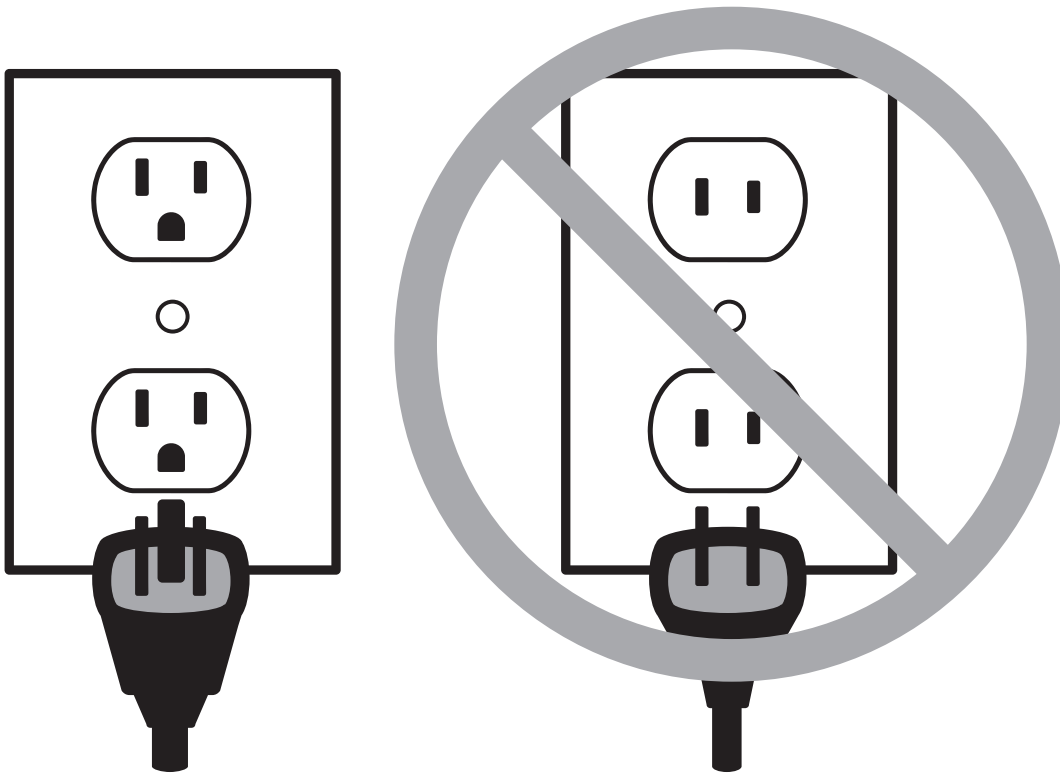
- Turn on the supply stop valve.
- Check the threaded connections and make sure no leaks are found.



- Plug in the power supply.
- This product should be grounded with a GCFI (ground-fault circuit interrupter) in place. In the event of an electrical short circuit, grounding reduces the risk of electric shock by providing an escape wire for the electric current. This product has an equipped electrical cord with a grounding wire and a grounding plug. The plug must be connected into an outlet that is properly installed and grounded.

 **WARNING**

Improper use of the grounding plug can result to a risk of electric shock.



- Flush the toilet several times and check once again for leaks. (Inspect at all threaded connections and around the base of the toilet)
- If by chance you find a leak, shut off the water and follow the installation procedure again.



ProStock

Installation Guide for
Electronic Bidet with
Integrated Toilet

#PSBTWE1000

