



# ProStock

## PSBTWE1000

### Electronic Bidet with Integrated Toilet

#### Features

- Adjustable Heated Seat, Heated Water & Water Pressure
- Automatic Self-Cleaning Nozzle
- Anti-Bacterial Seat & Nozzle
- Auto Open & Soft Close Seat
- Dual Flush: 1GPM/1.5GPM
- High-Efficiency, Siphonic Jet Flushing System
- Automatic & Remote Control Flush
- Built In LED Night Light
- Remote Control
- Energy Save Mode
- 3 Wash Modes: Rear, Pulsating and Feminine
- 5 Position Cleansing Nozzle
- 6 Level Temperature Adjusted Blower
- Activated Carbon Deodorizer
- Hygienic Filtered Water
- Safety On/Off Sensor
- Temperature & Water Level Sensor
- Bimetallic Thermostat
- Skirted One-Piece Toilet
- Low Profile-Elongated Design
- Comfort Height
- 12" Rough-In

#### Product Specifications

This complete electronic bidet toilet shall be dual flush GPF/3.8 LPF and 1.6 GPF/5.7LPF). Toilet shall be of skirted design with an elongated front bowl of universal height. This toilet shall be equipped with an automatic lid opening / closing feature.

Product Weight: 100 lbs

Product Dimensions: (see below)

Packaged Shipping Weight: 145 lbs

Packaged Shipping Dimensions: 35"x28"x21"

#### Electrical

Main unit: 110V-120V AC, 50/60Hz, 1200-1400W

Grounded power cord included, approx. 6' in length (1.8m)

Cleaning device: 1200W

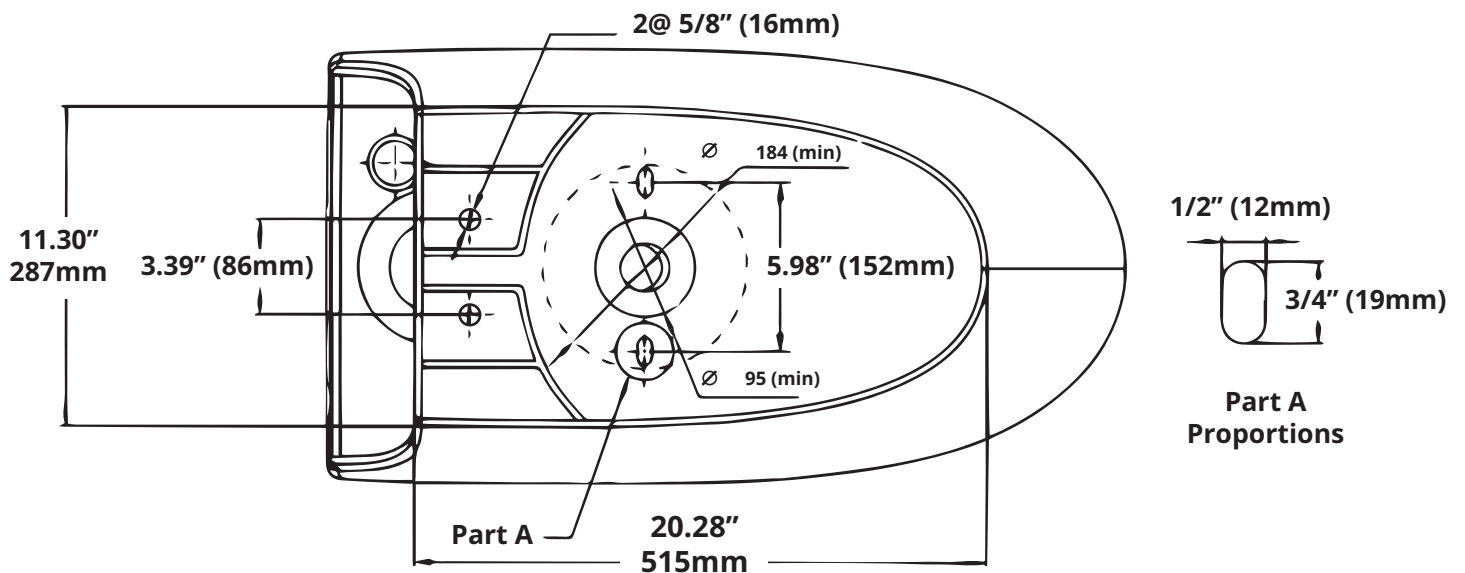
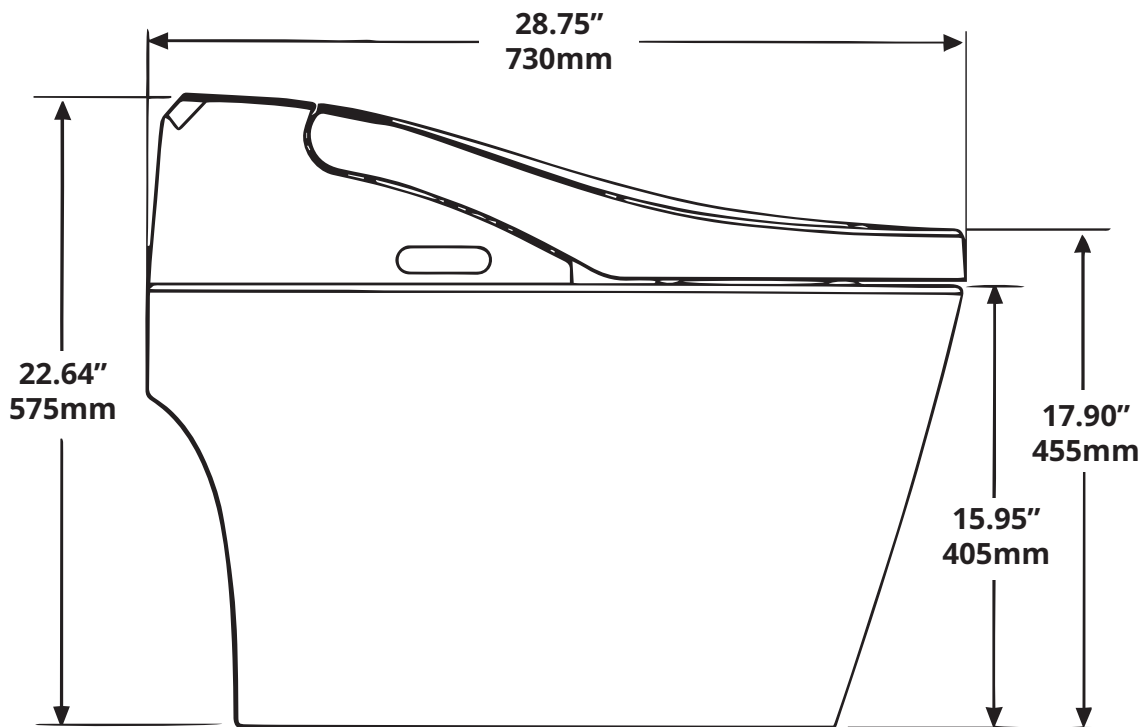
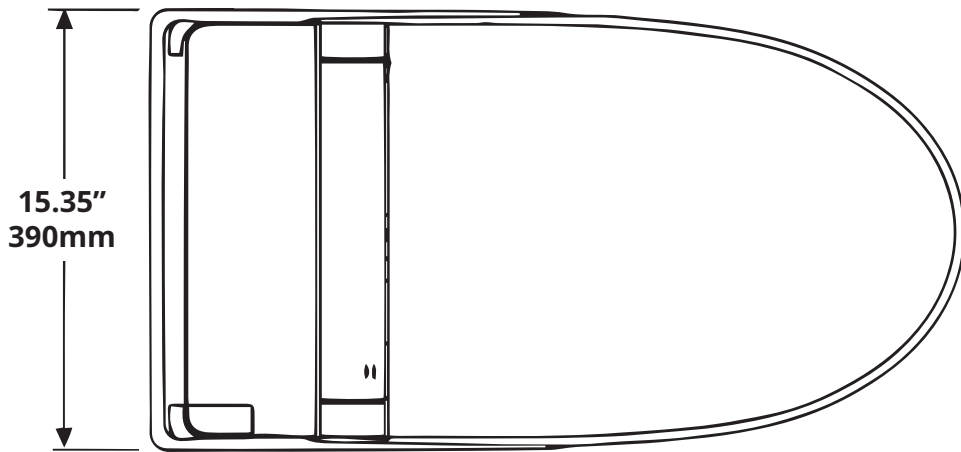
Drying device: 250W

Heated seat: 50W



*See operator's manual for a complete list of functionality and troubleshooting.*

# Technical Drawing



The product shape chart is for reference only, and we reserve the right to modify the appearance of the product.